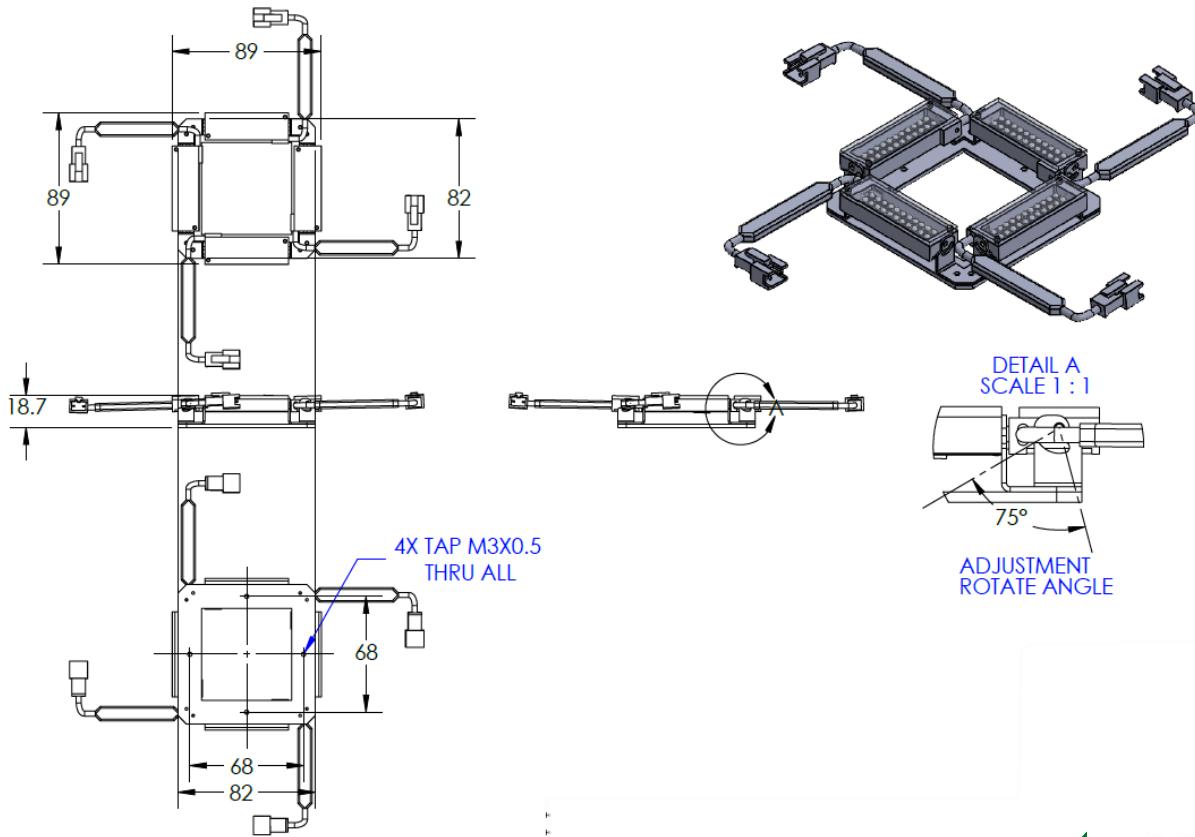




ILLUMINATOR DATA (ID)

LBMQ-00-040-3-B-24V

Lighting Dimension




Mechanical Information	
Casing Material	Aluminium
Storage Temperature Range	Temp 0-45°C, Humidity 20-85%
Weight	168 g
Length / Outer Diameter	89 mm
Width / Inner Diameter	89 mm
Thickness / Height	18.7 mm



ILLUMINATOR DATA-

LBMQ-00-040-3-B-24V

Optical Information			
Part Number	LBMQ-00-040-3-B-24V		
LED Color	BLUE		
Wavelength	(nm)	470	
Intensity (±15)	(Lux)	TBA	TBA
Working Distance	(mm)	10	20 30
Illumination (number of row)	3		
Illumination Active Area			
Active Length / Outer Dia.	(mm)	50	
Active Width / Inner Dia.	(mm)	9.1	
Emission angle	(deg.)	0	
Eye Safety Class (IEC62471)	II		
Electrical Information			
Lighting Supply Voltage (constant voltage mode)	24V ± 2%		
Continuous Current	(mA)	360	
Power Consumption	(W)	8.64	
Lighting casing temperature, Operating after 60 minutes	°C	50.6	
Strobe Mode Specification			
Pulse Operation	YES		
Max. Lighting Supply Voltage (Constant voltage power supply)	(V)	Pulsing at 24VDC to 48VDC, 0-10% Duty Cycle Recommended at 36VDC	
Pulse Current, (Max. 10msec) (Constant current power supply)	(mA)	1080	
Max. Trigger Pulse Duration	(msec)	10	
Duty Cycle	0-10%		
Additional Information			
Additional Cooling Method	Attached to machine part for better heat dissipation		
Intensity Controller Selection	ANGX, SD, ST & SDA series		
CE Conformity	YES		
RoHS Compliance	YES		
Connection			
Connector Type (Default):	JST SMR-03V		
Cable Length out from lighting :	(mm)	500	
Pin Configuration :	Pin	Signal	Cable Color
	1	LED +	RED
	2	N.C.	---
	3	LED -	WHITE
			
Application			
Illumination Type	Direct Illumination		
Application Use	General illumination, label inspection, character inspection, code recognition		



VISION CONSULTANCY
MAKING THE UNSEEN VISIBLE

Thank you for downloading this document from
www.machine-vision-shop.com

If you have any questions, you need help composing the
right package for your application or do you want to order?

Feel free to contact us via e-mail at sales@vision-consultancy.nl or visit our webshop.

Our vision experts are happy to help you.



Natascha Overhof



Christian Cromptvoets



VISION CONSULTANCY

Robert Schumandomein 2
6229 ES Maastricht
The Netherlands

+31 (0) 438 522 651

sales@vision-consultancy.nl
www.machine-vision-shop.com

Scan me to visit
[machine-vision-shop](http://machine-vision-shop.com)

